

A motorised mechanism to reveal a display from the ceiling.
This version hinges down by up to 100 degrees.

The size reference for this version is **CHR7-RES**.

The mechanism is fixed in place before the ceiling is finished. Supplied with MDF plaster edging to neatly plaster into the ceiling.

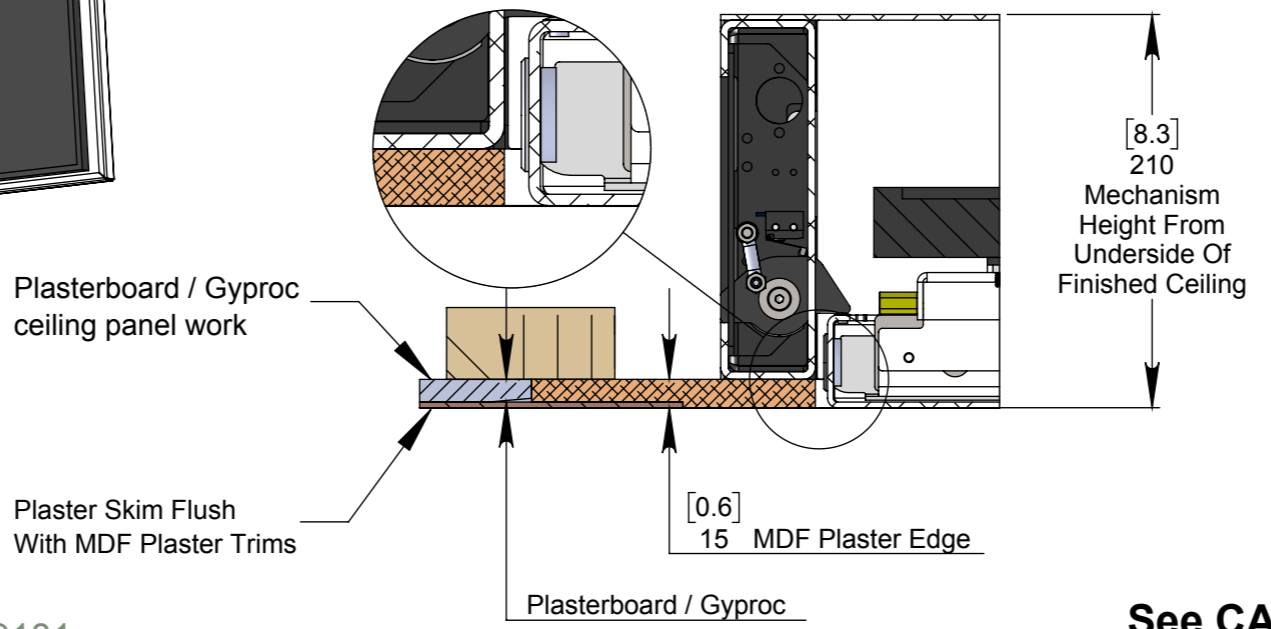
The control system can be operated via infra-red, RS232 or contact closure inputs.

Speakers can be added with the use of standard speaker mount brackets.
(If required please specify during ordering process.)

See overview technical sheet for details on other products in the range.

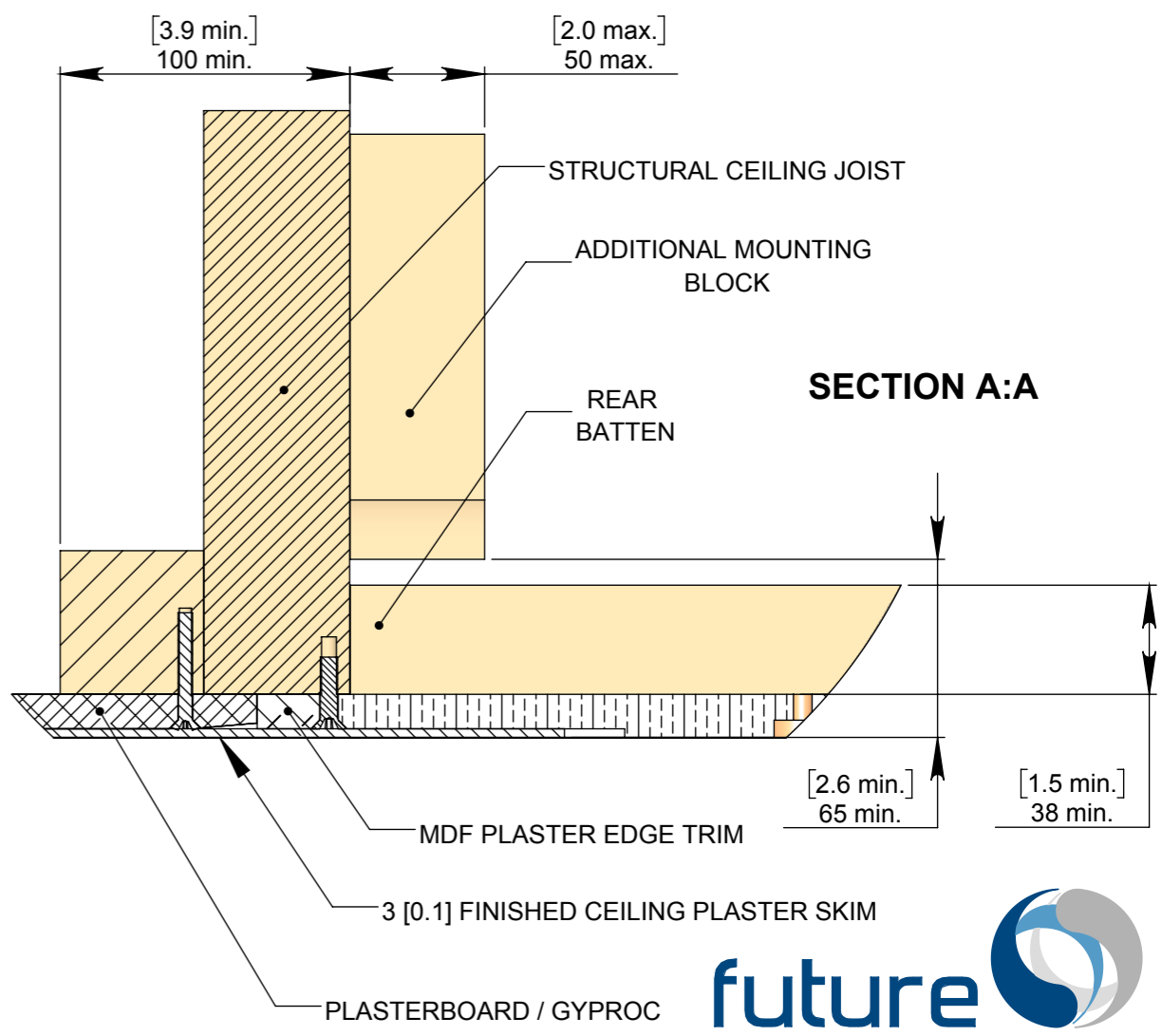
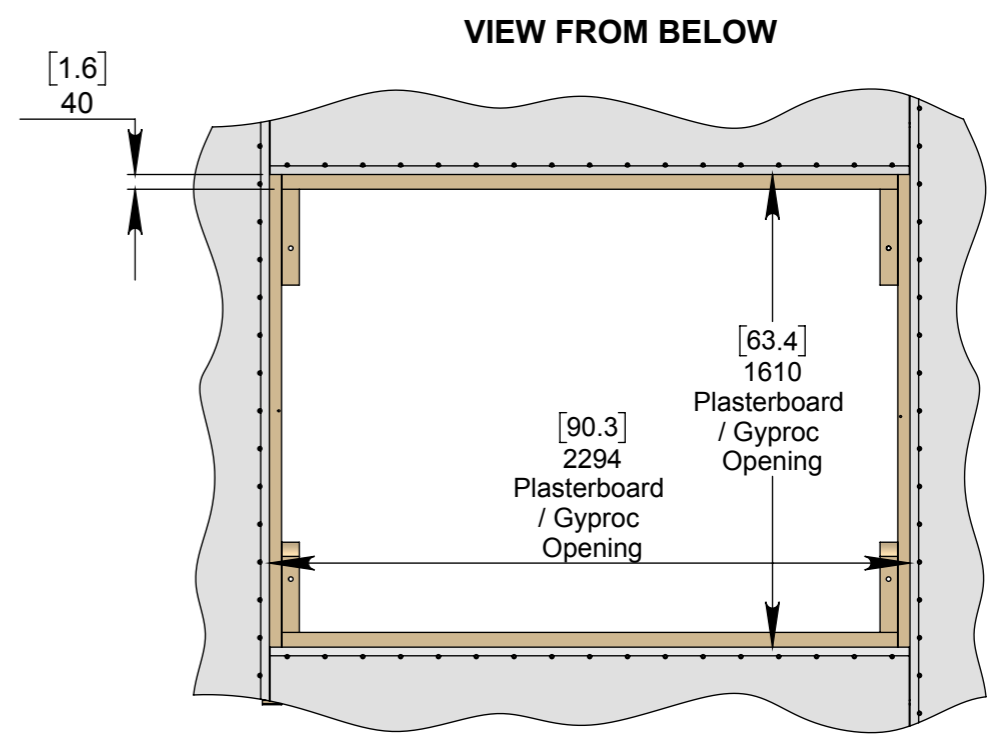
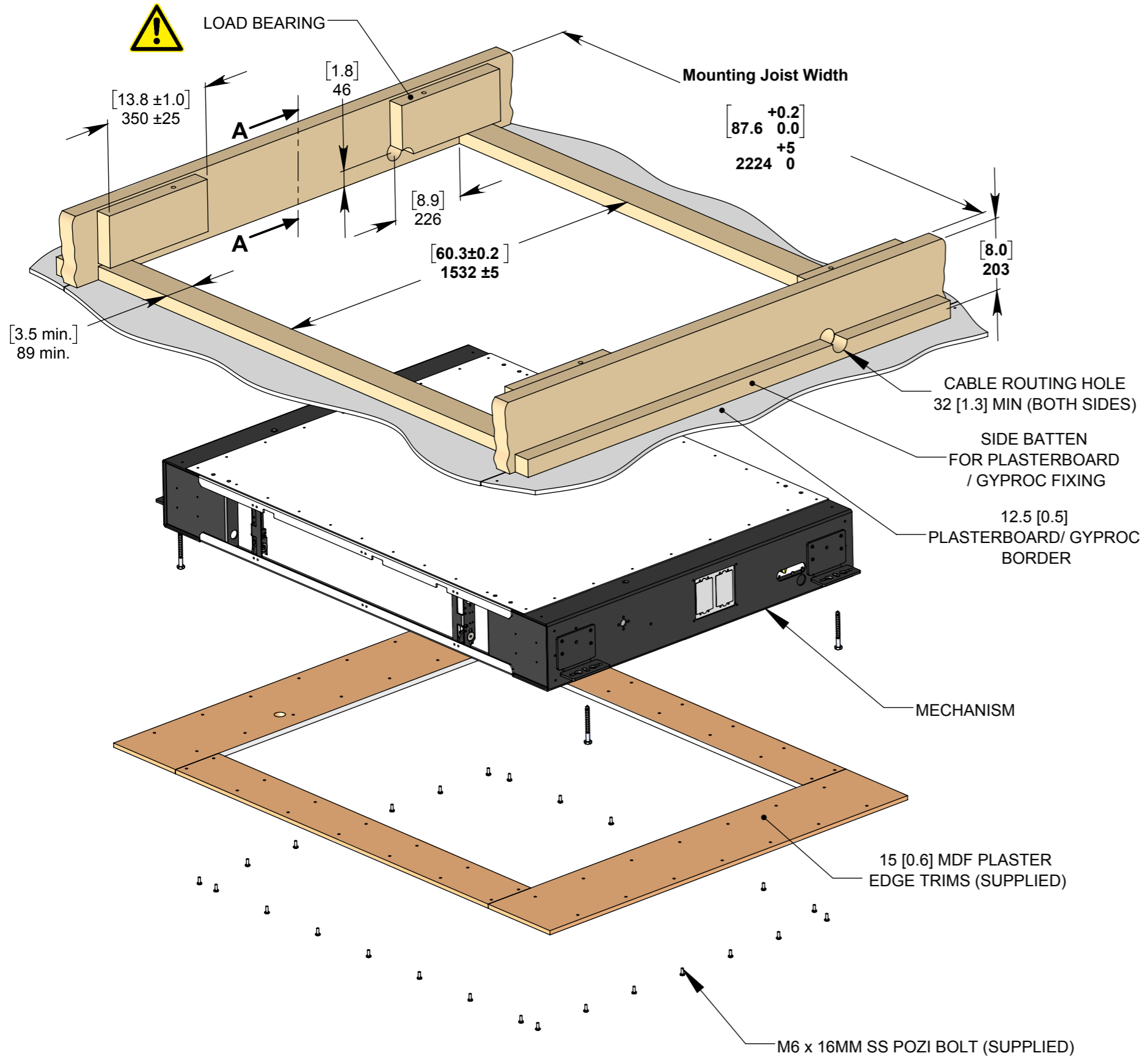
Model Code	CHR7-RES
Max Screen Size	1730mm [68.1] x 1010mm [39.8] x 100mm [3.9]
Max Screen Weight	60kg [132lbs]
Approx Mechanism Weight	175kg [385lbs]
Environment	Residential
Colour	WHITE - RAL9910 Satin Finish
Control System	Accessible by internal access hatch
Ceiling Void Required for Fitting	2224 [87.6] W x 1425 [56.1] L x 210 [8.3] D

RESIDENTIAL MDF PLASTER EDGE

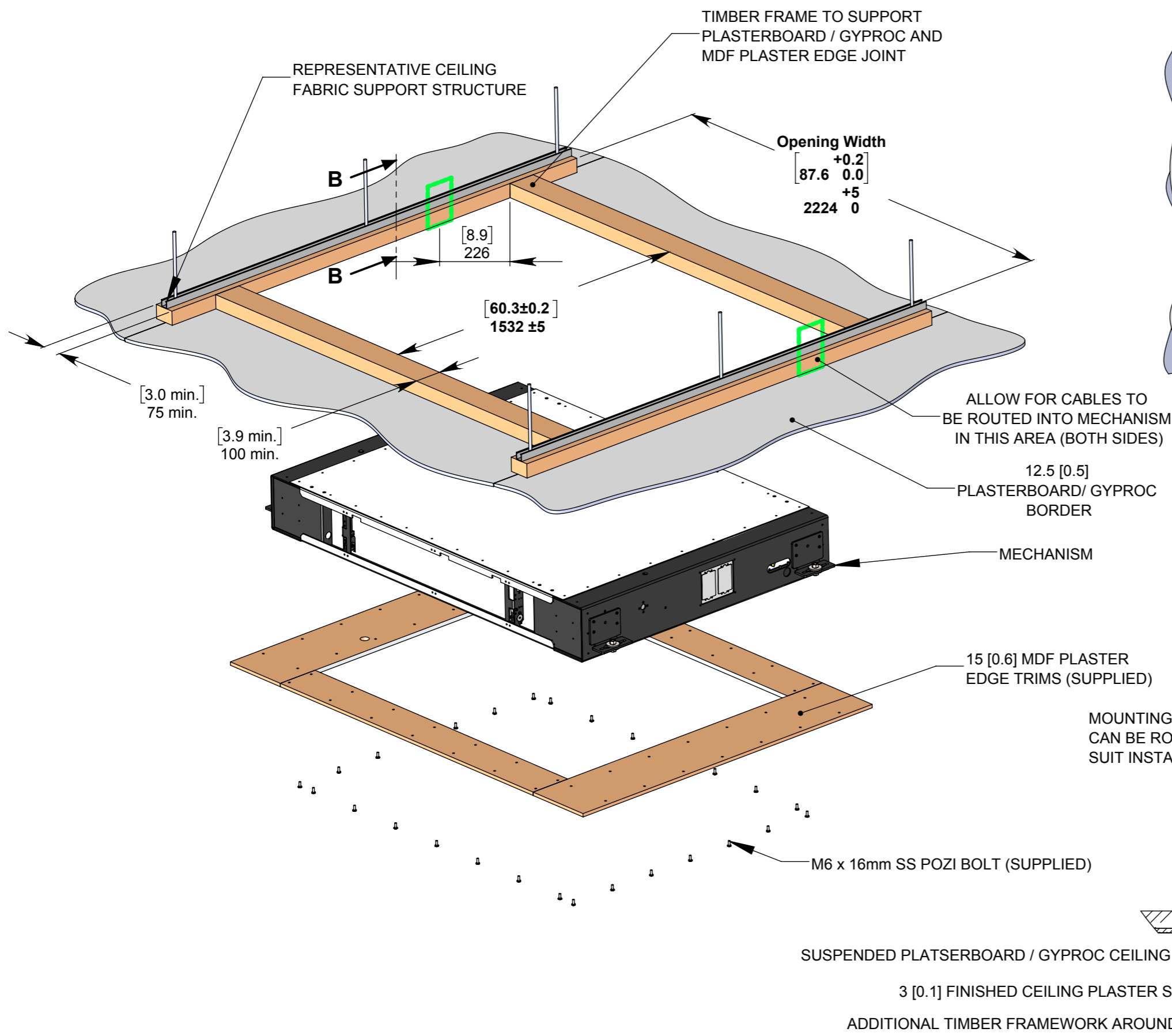


NOTE: This mechanism is not designed to accommodate additional panelwork on the main hinging tray.
Please see **Tech Note - CHR-RES-AP Addon Panel Technical Note** for more information.

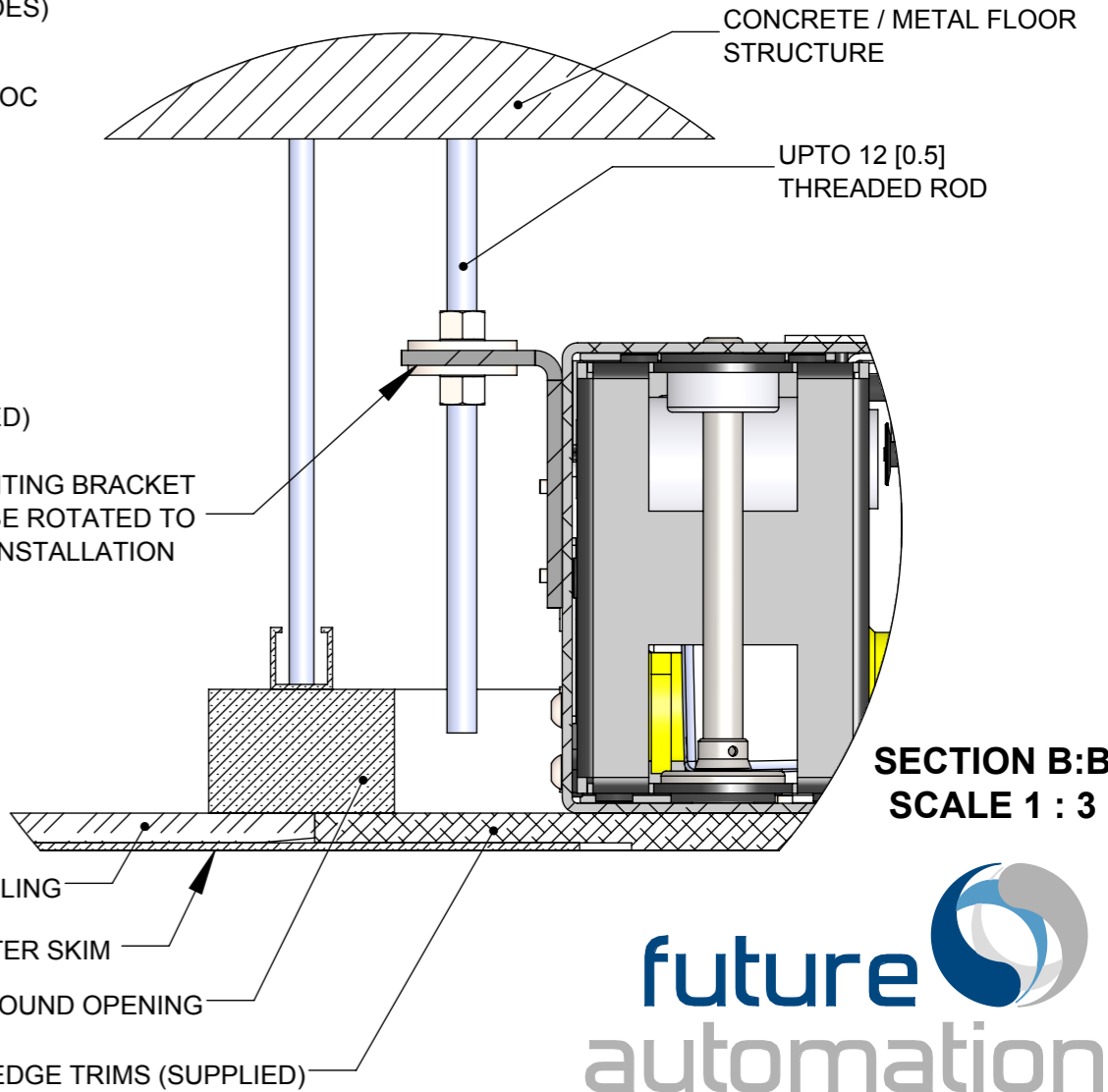
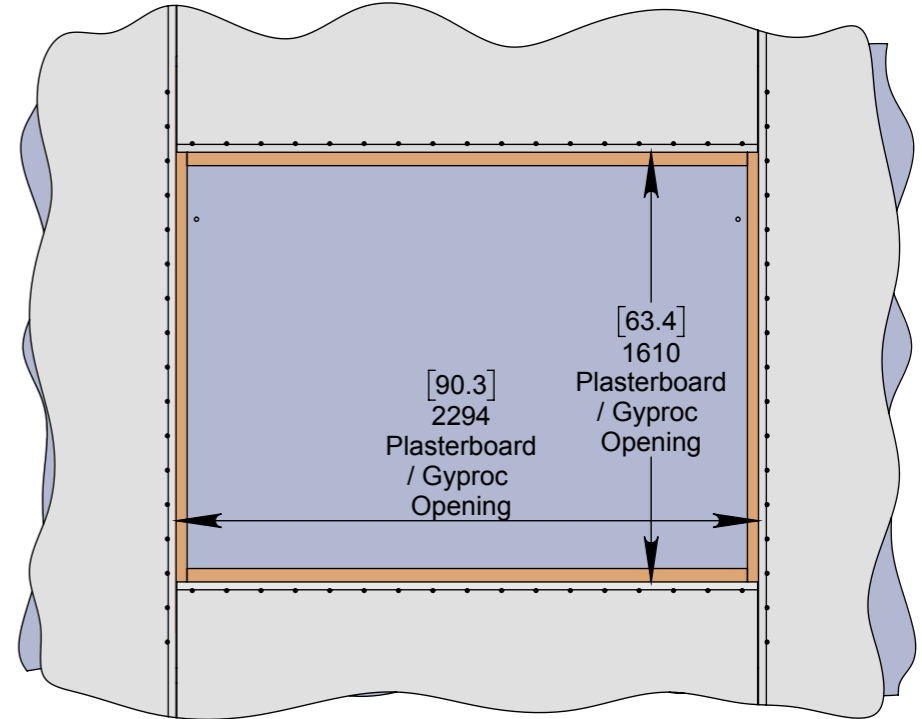
OPTION 1 - FIXING TO WOODEN BEAMS



OPTION 2 - SUSPENDING FROM CEILING STRUCTURE ABOVE



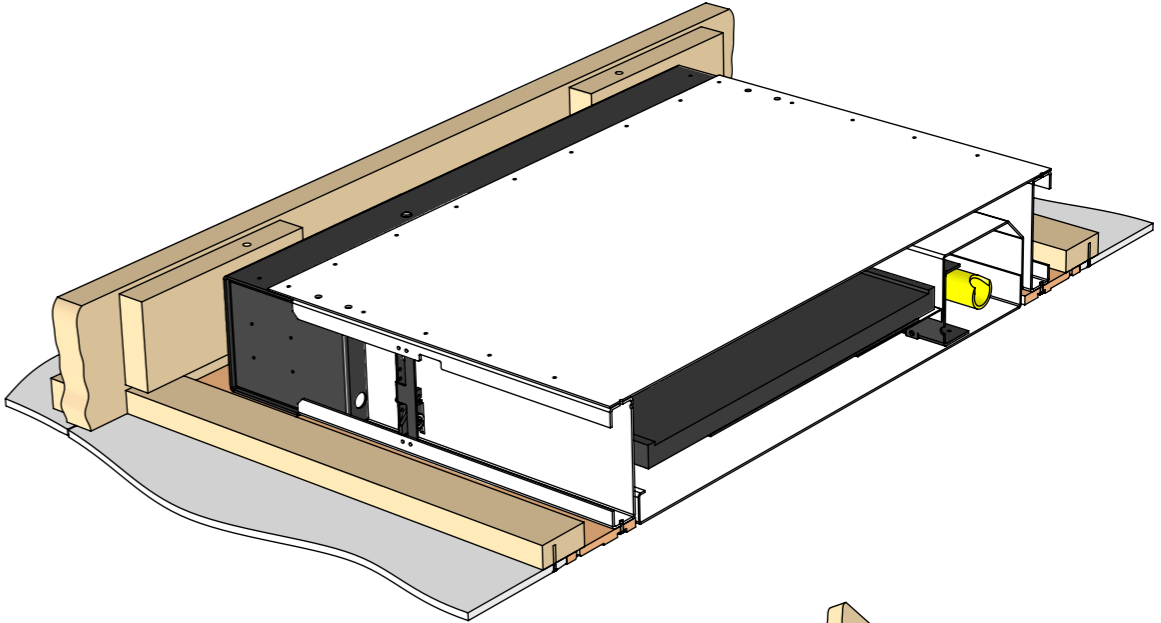
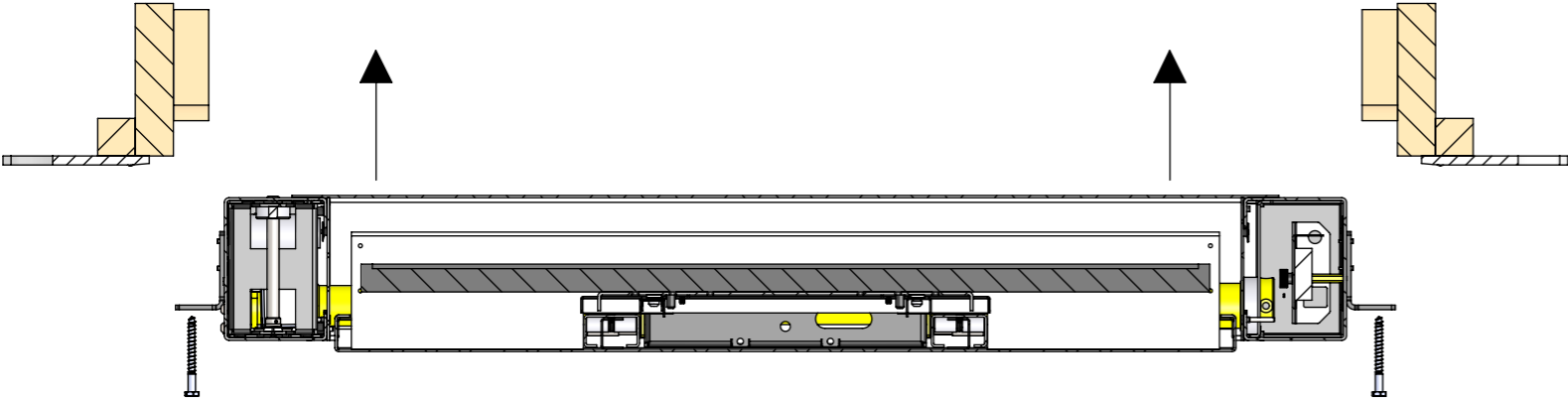
VIEW FROM BELOW



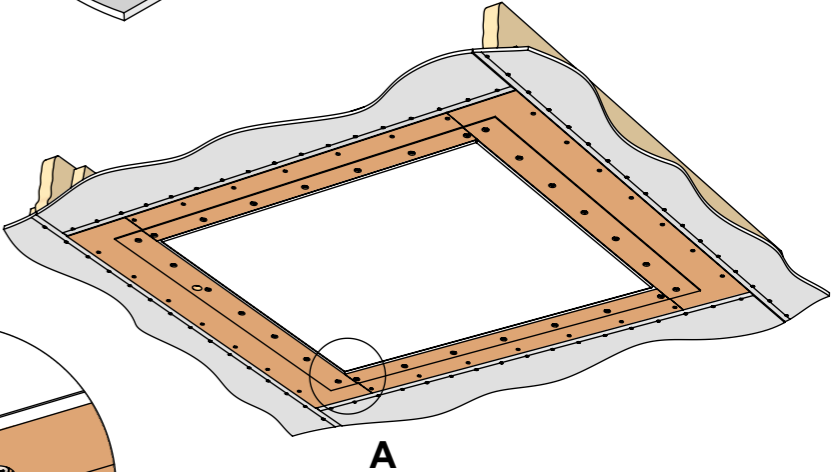
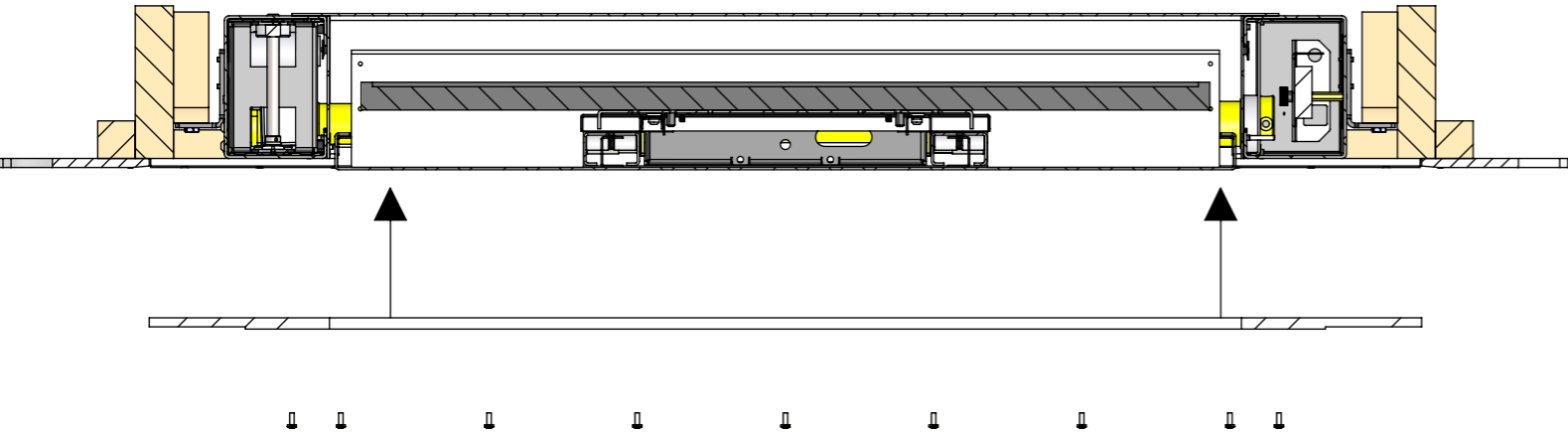
INSTALLATION PROCEDURE

1 Mechanism Installation

THE INSTALLATION PROCEDURE IS CARRIED OUT IN THE SAME WAY FOR OPTION 1 OR OPTION 2

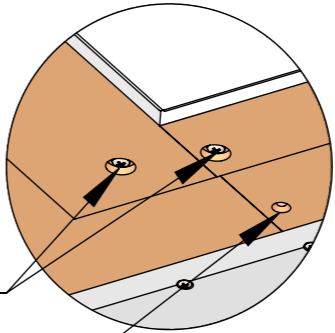


2 MDF Plaster Trim Installation



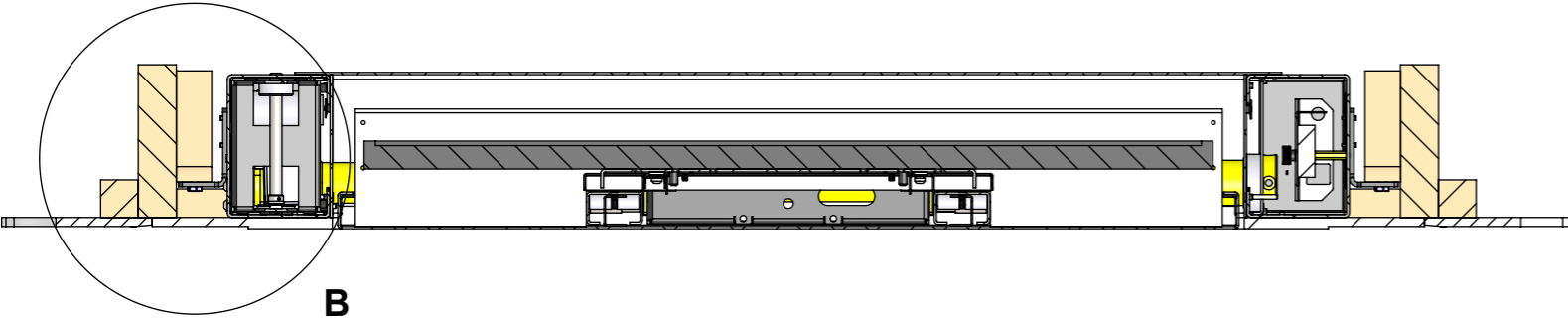
**DETAIL A
SCALE 1 : 5**

- 28 No. OFF SS M6 x 16MM POZI (SUPPLIED)
- 28 No. OFF MDF SCREW (NOT SUPPLIED)



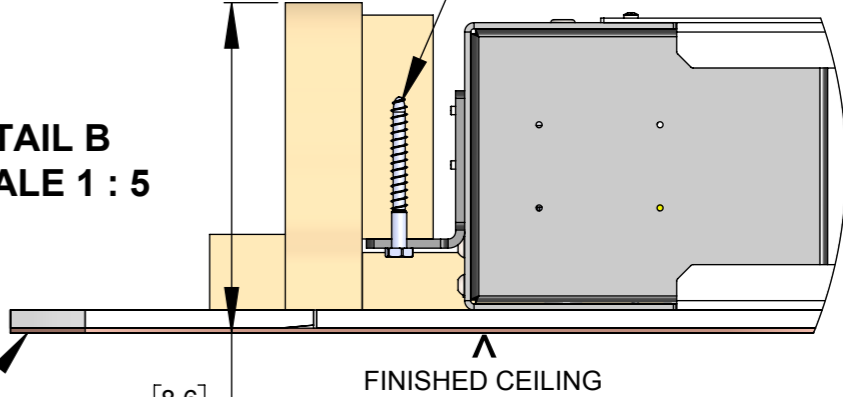
SUITABLE FIXING (NOT SUPPLIED)

3 Plastering



**DETAIL B
SCALE 1 : 5**

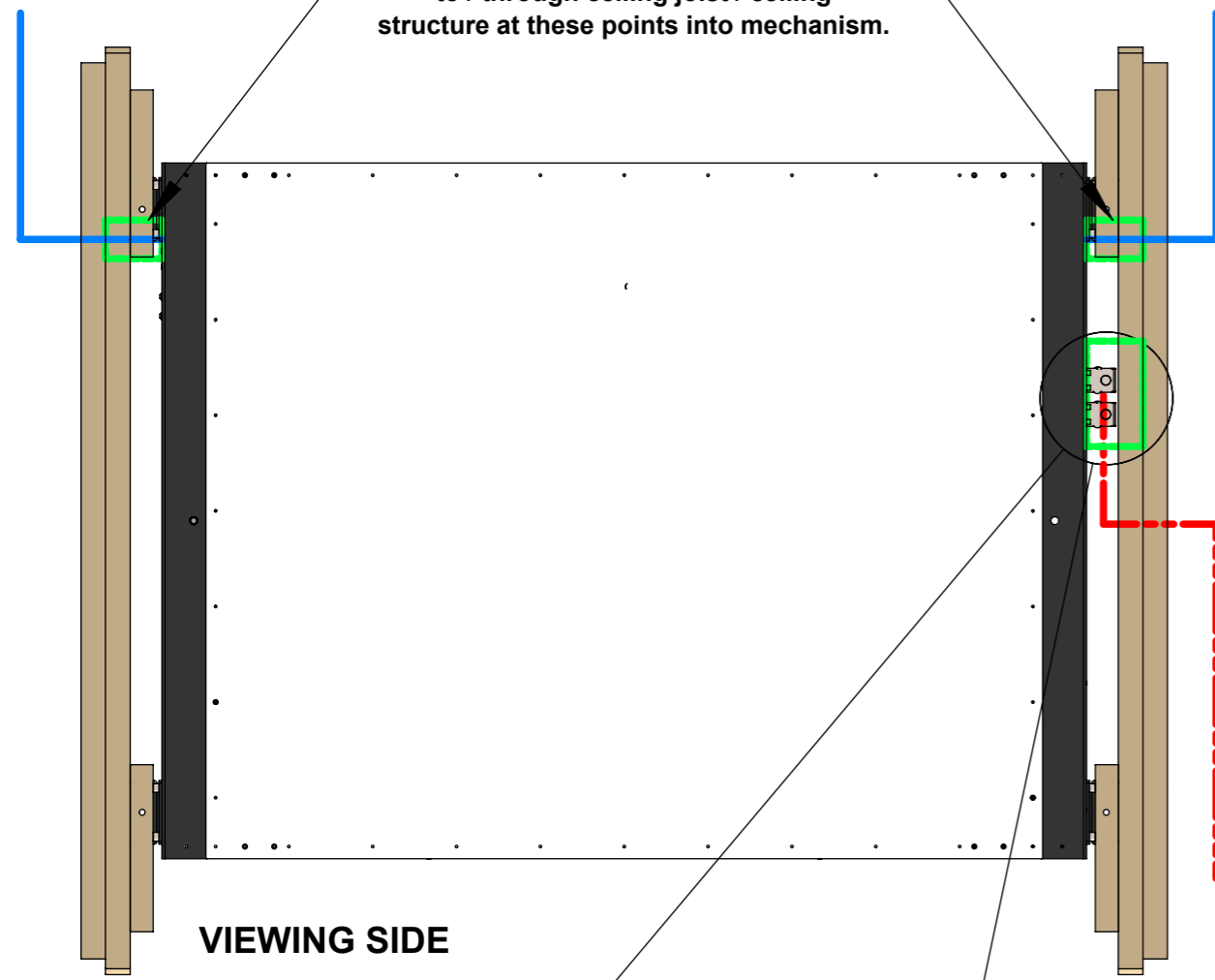
3 [0.1] FINISHED CEILING PLASTER SKIM



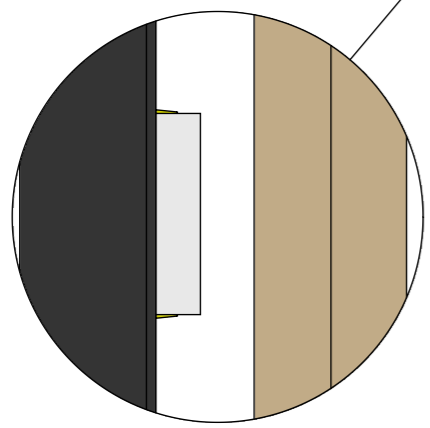
CEILING PREPERATION

- AV Signal Cables / Mechanism Control Cables
- - - Power Cable for Mechanism and AV

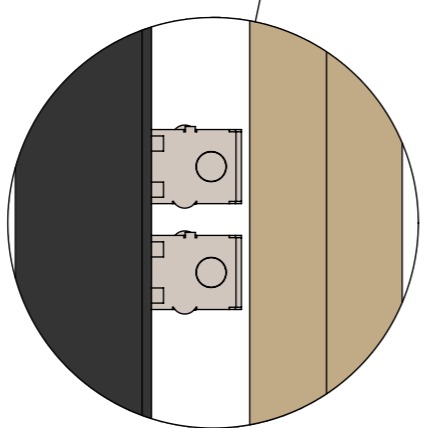
Ensure Cables can be routed to / through ceiling joist / ceiling structure at these points into mechanism.



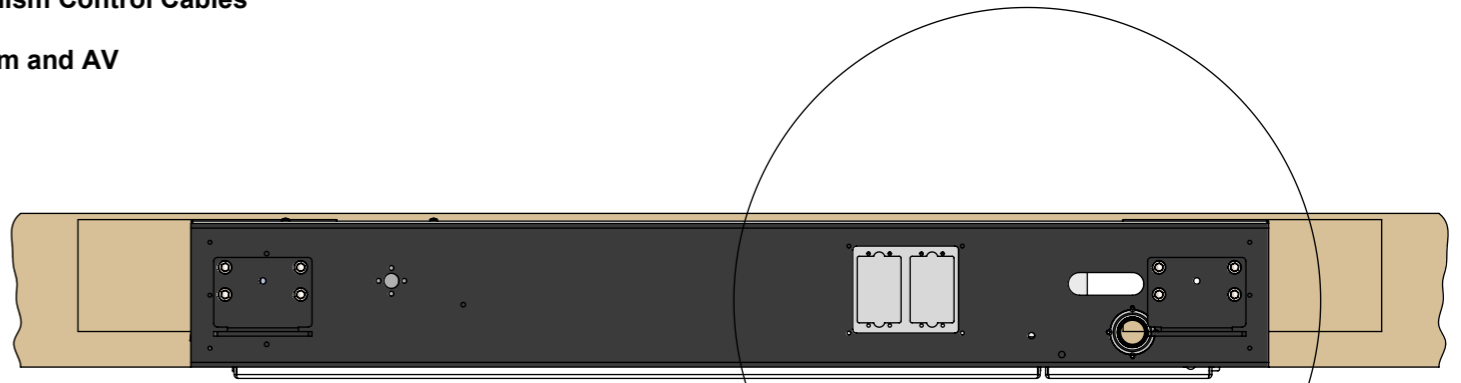
VIEWING SIDE



UK 2G Mains
Plasterboard
Back Box



2 No.
US J-Box

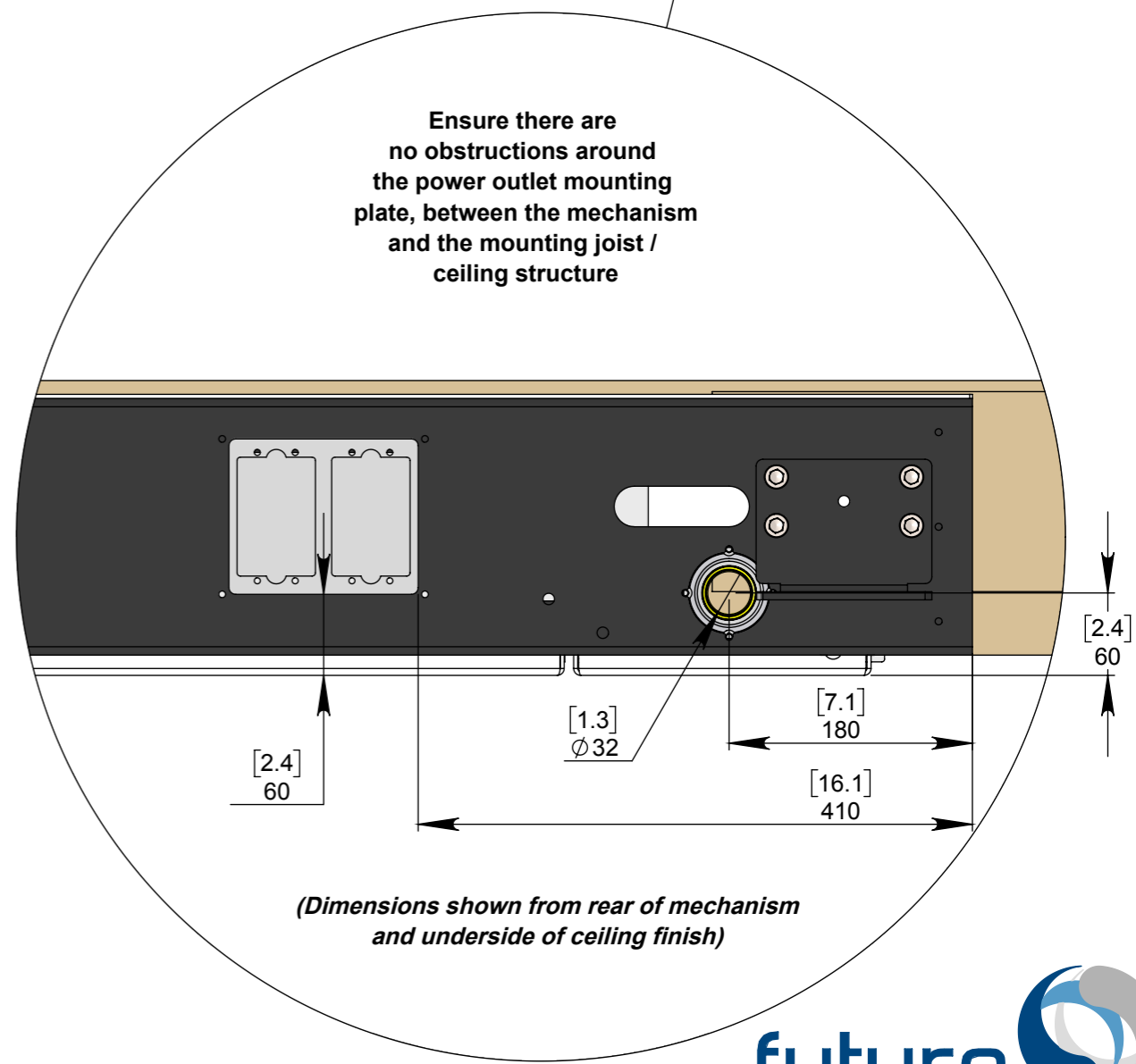


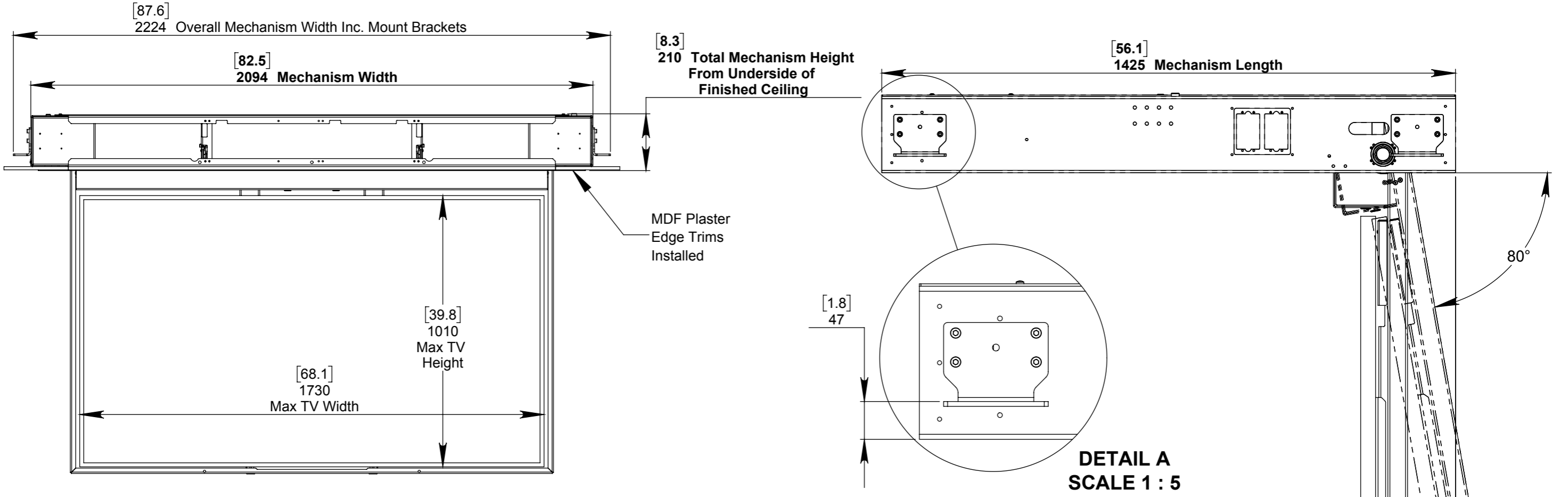
Cable Routing

Cables for the screen can be routed in from both sides, allowing for power and signal cables to be separated when entering the mechanism.

The opening on both sides is **MIN. 32mm [1.3"]** in diameter allowing for multiple cables to be routed to the screen.

A power outlet mounting plate is supplied in the right hand gearbox allowing for UK and US power outlets to be wired directly into the mechanism.





FIXING DETAIL

Mechanism mounted on M12 [0.5] Studding or fixed to underside of the ceiling joist structure, both using the mounting brackets installed on mechanism as standard.

DETAIL B SCALE 1 : 5

